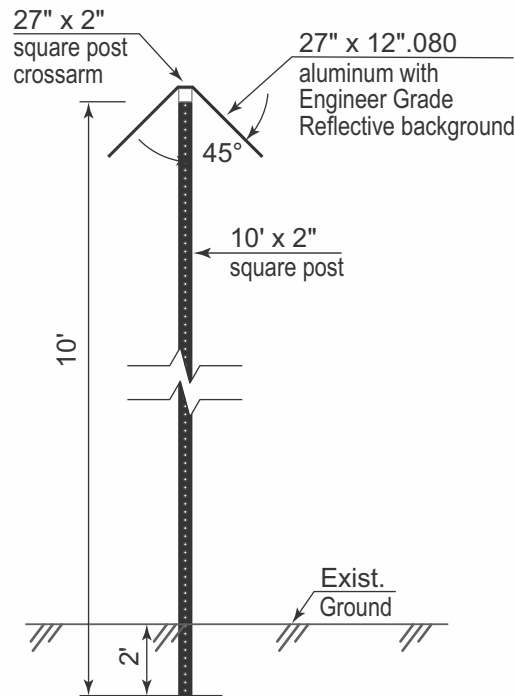
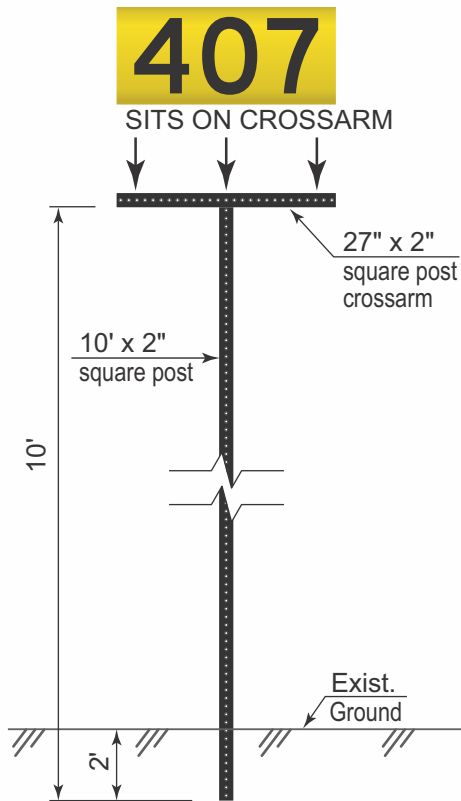


BOTTOM VIEW



SIDE VIEW



FRONT VIEW

# Bracketless Aerial Markers

The bracketless aerial marker shall be made from a solid aluminum sheet and galvanized steel square posts.

The aluminum sheet shall be bent at 45 degree angles and printed with black text on a yellow, orange or white Engineer Grade Reflective background and shall remain bold, assuming average UV and climate exposure, for at least 10 years in an outdoor environment. The thickness of the aluminum shall be .080 and cut in dimensions of: 27" wide x 12" high x 2" deep.

The post is a 2" galvanized steel square post with .375" pre-drilled holes on 1" centers.

The aluminum sheet shall be mounted to the steel square posts with four 5/16" x 2 1/2" bolts. The post shall be 10' long and buried 2' underground, making the overall length 8'.

### Part Numbers:

**BAM1624:** Bracketless Aerial Marker Includes: reflective marker, (1) 10' x 2" sq. posts, (1) 2'x2" sq horiz posts, (2) T brackets, bolts, nuts, washers, (4) drive rivets

**BAM1636:** Bracketless Aerial Marker Includes: reflective marker, (1) 10' x 2" sq. posts, (1) 3'x2" sq horiz posts, (2) T brackets, bolts, nuts, washers, (4) drive rivets

**BAM1648:** Bracketless Aerial Marker Includes: reflective marker, (2) 10' x 2" sq. posts, (1) 4'x2" sq horiz posts, (4) T brackets, bolts, nuts, washers, (4) drive rivets

**Rhino**  
MARKING & PROTECTION SYSTEMS

800.522.4343 | RhinoMarkers.com